



Infection Prevention and Control

Accessories

Increased compliance of infection control procedures results in a higher safety level for patients, staff and the community. Therefore, disinfectants must be quickly and easily available and safe to use wherever they are required. To ensure that disinfectants are accessible at the point of care and at the same time meet individual user requirements, B. Braun has developed a comprehensive range of accessories. The product range includes belt clips for pocket sized containers, various selections of wall brackets, sensor operated dispensers and microprocessor-controlled dosage pumps for preparing ready-to-use surface or instrument disinfectants.

Dispensers	
B. Braun dispenser systems	4
Make the dispenser yours	6
Get a smart up-grade	7
HAT Hygiene Audit Tool	8
Automatic dispenser	10
Wall dispenser plus	11
Wall dispenser plus – accessories	12
Wall dispenser variations	16
Bottle holder/clamp	17

Brackets	
Wall brackets	18
Bed brackets	21
Wipes brackets	22

Hand pumps	
Standard pump	23
Hand pump with reflux valve and long nozzle	23

Clips	
Crocodile and Jojo clip	24

Training & Compliance Material	
LiteCheck UV, SurfaceCheck UV and Fluo-Add	25

Accessories for surface and instrument disinfection	
Spray heads	26
Spanner for concentrate canisters	28
Dosage pump/discharge stopcock	29
Suction tube doser/measuring cup	30
Instrument tray	31
Wipes dispenser systems	32
Melseptomat® G – automatic dosing unit	34

B. Braun dispenser systems

Automatic dispenser

Properties

- Touch free operation avoids risk of cross contamination
- Adjustable dosing volumes (0.6 ml, 1.5 ml and 3.0 ml) – the dosage is preset to 1.5 ml
- Cleaning/Maintenance mode
- Easy battery change – no tools or dismantling of the dispenser necessary
- Sensor sensitivity configurable
- Low battery level warning (optical signal)
- Suitable for all types of product – liquid, gel and moisturizers in 500 ml or 1000 ml bottles
- Interfaces for consumption monitoring and door control (opening) in place
- No change of pump or reprocessing necessary
- Collapsible bottle system reduces waste volume up to 80%



Product	REF
Dispenser automatic set (1.5) 500/1000 ml	3908493



Collapsible bottle

Properties

- Ensures complete emptying of liquid
- Reduces waste volume up to 80%

Pump

Properties

- Direct mounted on each bottle → no manipulation possible
- Empties bottles without air exchange → minimizes risk of microbiological contamination
- No metal, completely recyclable
- Material: HDPE, LDPE and PP

Manual dispenser

Properties

- Modular system with drip tray, lever, back plate
- For 500 ml and 1000 ml bottles
- Easy to clean – dishwasher proof (up to 60 °C)
- Lockable
- Easy to install
- Includes bottle change indicator
- Customizable – label it – change color... your choice!
- Adjustable dosing volume (0.6 ml, 1.5 ml, 3.0 ml)
- Airless system with unique collapsible bottles
- Ready for a smart upgrade (consumption monitoring tool)

Materials used

- Dispenser cover: ABS/SAN
- Drip tray: ABS
- Lever: stainless steel
- Back plate: ABS



Product	REF
Drip tray	3908453
Dispenser bundle with arm lever	3908480
includes manual dispenser 500 / 1000 ml, arm lever, drip tray, universal back plate	
Dispenser bundle "NHS"	3908481
Manual dispenser 500 / 1000 ml, drip tray, NHS back plate	
Dispenser bundle "w/o arm lever"	3908482
Manual dispenser 500 / 1000 ml, drip tray, universal back plate	

Make the dispenser yours



Choose your

- Color
- Label
- Equipment



Get a smart up-grade



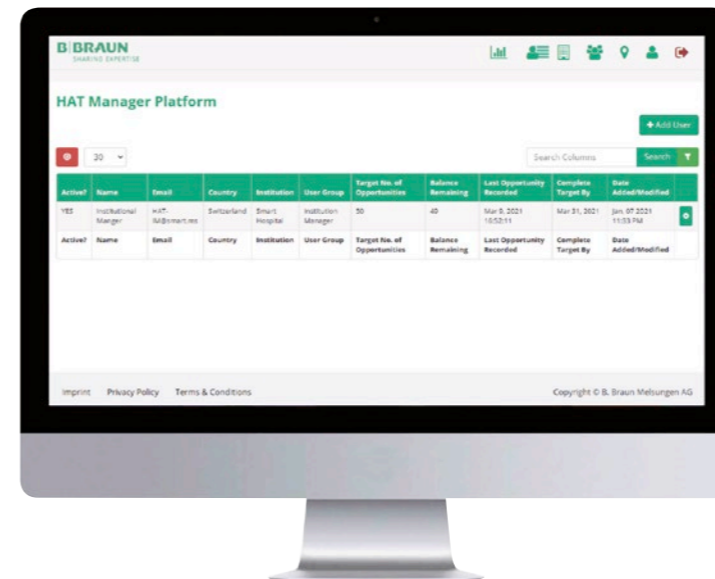
The solution. Make your dispensers smart.

- Capture hand disinfection processes of each dispenser and point of care hand rub (table dispenser, bed brackets)
- Have maintenance staff refill the dispensers at the right moment
- Support of ideal dispenser positioning
- Overview of disinfectant usage
- Consumption monitoring with personal transponders for defined groups (job, area of work) as additional option
- Set compliance targets

You talk, we listen. Because as a hygienist, you have a very demanding job that requires skills and nerves. B. Braun knows that hand hygiene is vital for fighting the spread of infections and that's why we give you all the support you need to keep compliance high. Trust in our know-how: fast-acting hand sanitizer, state-of-the-art dispensers and digital tools including awareness material enable a smart hand hygiene management.

HAT – Hygiene Audit Tool

Quality management & user-admin tool with mobile APP for paperless compliance monitoring



Web-based admin-tool (requires paid subscription)

- User management, create user and user roles
- Set observation targets for individual auditors (How many observations until when) and control target fulfillment
- Create and arrange professional categories
- Create customized locations view and/or download reports
- Download raw-data in EXCEL-format
- Download user lists
- A group of hospitals under the same owner can be run under one subscription.

Product	REF
HAT – Hygiene Audit Tool – one year subscription	9999123

Mobile app for infection prevention & control professionals and quality managers in healthcare

Mobile app is activated after user-account log-in requires iOS 14.0 or later/Android OS

- Record hand hygiene opportunities in line with the WHO “My 5 moments for hand hygiene”
- Auditor has option to include precaution measures & PPE information in audit data.
- See the targeted number of observation, fulfillment rate and deadline.
- See compliance rate by indication after each session.
- Filters allow to analyse hand hygiene compliance data by professional category, location, time period.
- Offline recorded opportunities will be submitted to the server once you reconnect to the internet.

Additional information

- Requires a paid subscription.
- Subscription fee is for 0.5 GB per year.
- Please check the local B.Braun homepage, if the Hygiene Audit Tool is available in your country.
- To apply for a subscription please contact the B. Braun subsidiary in your country or hat-service@bbraun.com.

Citations

- WHO Hand Hygiene Observation Form https://www.who.int/gpsc/5may/Observation_Form.doc?ua=1
- “My five moments for hand hygiene”: a user-centred design approach to understand, train, monitor and report hand hygiene
Sax H, et al. J Hosp Infect 2007; 67(1): 9–21
<https://www.who.int/infection-prevention/campaigns/cleanhands/5moments/en/>

Contact

Global Service Contact: hat-service@bbraun.com

Automatic dispenser

Automatic dispenser

Properties

- Sensor operated dispenser improves hygienic safety
- For all B. Braun hand sanitizers, liquid soaps and skin care lotions
- Autoclavable pump (max. 123 °C)
- Scratch resistant casing made of anodized aluminium
- Battery operated
- With emergency operating lever
- Adjustable dosing 0.75 – 1.5 ml
- Drip tray in system already included

Dimensions

- W 92 x H 330 x D 210 mm



Product	REF
Touchless system incl. drip tray	
For 500 ml bottle	4400774
For 1000 ml bottle	3908403
Touchless dispenser	
For 1000 ml bottle	3908393

Warranty is void if other than B. Braun products are used.

Accessories for automatic dispenser

Properties

- For 1000 ml Dispenser
- To lock the product into automatic dispenser
- White plastic tray
- Prevents the dripping onto the floor



Product	REF
Locking plate	3908395
Drip tray	3908394

Wall dispenser plus

Wall dispenser plus with plastic pump

Properties

- Matte-silver anodized aluminium housing
- Adjustable dosing from 0.5 ml to 1.5 ml
- Plastic pump is compatible with B. Braun alcoholic hand rubs, hand washing lotions and hand care lotions
- All parts can be reprocessed in a washer disinfector with a pH-neutral cleaner and autoclaved at 134 °C and 3 bar
- Plastic pump is not autoclavable!

Dimensions

500 ml

- Short lever: W 82 x H 245 x D 160 mm
- Long lever: W 82 x H 245 x D 215 mm

1000 ml

- Short lever: W 92 x H 290 x D 160 mm
- Long lever: W 92 x H 290 x D 215 mm



Product	REF
Short lever (visible lever arm length: 100 mm)	
For 500 ml bottle	1418893
For 1000 ml bottle	1418892
Long lever (visible lever arm length: 170 mm)	
For 500 ml bottle	1418894
For 1000 ml bottle	1418895

Warranty is void if other than B. Braun products are used.

Wall dispenser plus with metal pump

Properties

- Matte-silver anodized aluminium housing
- Adjustable dosing from 0.5 ml to 1.5 ml
- Metal pump is compatible with B. Braun alcoholic hand rubs, hand washing lotions and hand care lotions
- All parts can be reprocessed in a washer disinfector with a pH-neutral cleaner and can be autoclaved at 134 °C and 3 bar

Dimensions

500 ml

- Short lever: W 82 x H 245 x D 160 mm
- Long lever: W 82 x H 245 x D 215 mm

1000 ml

- Short lever: W 92 x H 290 x D 160 mm
- Long lever: W 92 x H 290 x D 215 mm



Product	REF
Short lever (visible lever arm length: 100 mm)	
For 500 ml bottle	4400010
For 1000 ml bottle	4400009A
Long lever (visible lever arm length: 170 mm)	
For 500 ml bottle	4400114
For 1000 ml bottle	4400115

Warranty is void if other than B. Braun products are used.

Wall dispenser plus – accessories

Plastic pump

Properties

- Plastic pump for all B. Braun hand sanitizers, liquid soaps and skin care lotions
- Dosage: 0.7 / 1.0 / 1.5 ml
- Cleaning: dishwasher-safe (60 °C)
- The plastic pump can not be autoclaved



Product	REF
For 500 ml bottle	4400006
For 1000 ml bottle	4400005

Warranty is void if other than B. Braun products are used.

Single use plastic pump

Properties

- Single use plastic pump for all B. Braun hand sanitizers, liquid soaps and skin care lotions
- Dosage: 1.5 ml
- Packaged in sealed pouch
- Reprocessing and autoclaving not possible
- Compatible with manual dispenser plus and automatic dispensers.



Product	REF
For 500 ml bottle	4401857
For 1000 ml bottle	4401858

Warranty is void if other than B. Braun products are used.

Metal pump

Properties

- Exchangeable stainless-steel pump for all B. Braun hand disinfectants, liquid soaps and skin care lotions
- Dosage: 0.7 / 1.0 / 1.5 ml
- Can be reprocessed in a washer disinfector with a pH-neutral cleaner
- The metal pump can be autoclaved at 134 °C and 3 bar



Product	REF
For 500 ml bottle	4400008
For 1000 ml bottle	4400007

Warranty is void if other than B. Braun products are used.

Locking plate and drip tray

Properties

- Locking plate for manually operated dispensers incl. lock and key
- Made of anodized aluminium
- Drip tray with white plastic tray
- Prevents the dripping onto the floor



Product	REF
Locking plate for 500 ml dispenser	2400067
Locking plate for 1000 ml dispenser	2400064
Drip tray for 500 ml dispenser	3908232
Drip tray for 1000 ml dispenser	3908240

Wall dispenser plus – accessories

Clip

Properties

- Exchangeable Clips
- Pack size: 25 pcs./pack



Product	REF
Disinfectant DE	1419042
Wash lotion DE	1419041
White	1417667

Wall plate

Properties

- Grey plastic wall plate for mounting wall dispenser plus
- Not autoclavable



Product	REF
For 500 ml dispenser	3903233
For 1000 ml dispenser	3903234

Angle plate

Properties

- For mounting wall dispensers in e.g. narrow passageway
- Made of anodized aluminium



Product	REF
For 500 ml dispenser	290100
For 1000 ml dispenser	290200

Signal frame

Properties

- Powder coated stainless steel signal frame
- To hang over the fitted dispenser back plate

Dimensions

- For 500 ml: W 132 x H 297 mm
- For 1000 ml: W 148 x H 336 mm



Product	REF
For 500 ml dispenser	
Red	1419032
Green	1419033
For 1000 ml dispenser	
Red	1419035
Green	1419036

Disinfection point large

Properties

- Brushed stainless steel
- Mounts with wheels
- Compatible for various back plates
- Dimensions (in mm): 500 x 500 x 1500
- Disinfection point includes B. Braun logo

Disinfection point small

Properties

- Polished stainless steel
- Light and easy to carry
- Compatible for various back plates
- Dimensions: 350 x 350 x 1400 mm
- Disinfection point includes B. Braun logo



Product	REF
Disinfection point small	3908492
Disinfection point large	3908509

Wall dispenser variations

Wall dispenser ER T

Properties

- Soap and sanitizer dispenser with plastic housing and locking set
- Stainless steel arm lever with visible length 170 mm
- Plastic pump is compatible with B. Braun alcoholic hand rubs and hand washing lotions
- Do not use with skin care lotion
- Adjustable dosing 0.7 / 1.0 and 1.5 ml per hub
- Plastic pump can not be autoclaved
- Dimension: W 100 x H 381 x D 158 mm
- Back plate comparable with wall dispenser plus



Product	REF
For 1000 ml bottle	4401316

Warranty is void if other than B. Braun products are used.

LCP | Soap and sanitizing dispenser

Properties

- Soap and sanitizer dispenser with plastic housing, operating lever made of stainless steel, exchangeable plastic pump, for disposable bottles, suitable for liquid soap without abrasive agents, and alcoholic hand disinfectants
- Do not use for Trixo®-lind or Trixo®-lind pure

Dimension

- 500 ml: W 89 x H 335 x D 180 mm
- 1000 ml: W 100 x H 360 x D 185 mm



Product	REF
For 500 ml bottle	1413675
For 1000 ml bottle	1413955

Warranty is void if other than B. Braun products are used.

Bottle holder/clamp

B. Braun bottle holder

Properties

- Light and adjustable bottle holder
- Compatible for 500 ml and 1000 ml bottles
- Keyless lockable
- Easy to install
- Includes a sensor notch (consumption monitoring tool)
- Compatible with screw clamp

Dimensions

- For 500 ml: approx. W 100 x H 158 x D 85 mm
- For 1000 ml: approx. W 100 x H 215 x D 85 mm



Product	REF
B. Braun bottle holder	3908490

B. Braun screw clamp

Properties

- Screw clamp can easily be added
- Can be turned clockwise to be clamped to horizontal as well as vertical objects
- Quick release fastener simplifies attachment
- Min./max. size of the pole: Min. 1 cm/max. 4 cm

Dimensions

- Closed clamp (minimum): approx. W 54 x H 160 x D 75 mm
- Open clamp (maximum): approx. W 54 x H 200 x D 75 mm

Cleaning/disinfection advice:

Both products can be cleaned and disinfected with Meliseptol® Wipes sensitive.



Product	REF
B. Braun screw clamp	3908491

Wall brackets

Wall bracket

Properties

- Made of stainless steel
- Double-sided adhesive pad allows convenient fixation



Product	REF
For 500 ml bottle	3908339
For 1000 ml bottle	3908340

Wall bracket with short and long arm lever

Properties

- Made of stainless steel
- Double-sided adhesive pad allows convenient fixation
- Short arm lever 160 mm
- Long arm lever 220 mm



Product	REF
Short arm lever for 500 ml bottle	3908371
Long arm lever for 500 ml bottle	3908372
Long arm lever for 1000 ml bottle	3908374

Wall bracket white powder coated

Properties

- For 500 ml and 1000 ml bottles
- White



Product	REF
For 500 ml bottle	3908331
For 1000 ml bottle	3908332

Wall bracket for airless system

Properties

- For 1000 ml airless bottle



Product	REF
Wall bracket with lever 10 cm	3908386

Wall brackets

Lockable wall bracket system 500 ml

Properties

- Made of clear alcohol resistant translucent polycarbonate
- Offered as a lockable wall dispenser with or without stainless steel lever or wall bracket only



Product	REF
Wall bracket 500 ml basic	3908416
Wall bracket 500 ml lockable	3908417
Arm lever for wall bracket 500 ml	3908418

Lockable wall bracket system 1000 ml

Properties

- Made of clear alcohol resistant translucent polycarbonate
- Offered as a lockable wall dispenser or as wall bracket only



Product	REF
Wall bracket 1000 ml basic	3908432
Wall bracket 1000 ml lockable	3908431

Bed brackets

Wire dispenser

Properties

- Wire dispenser for beds



Product	REF
For 500 ml bottle	1416337

Bed bracket

Properties

- Made of stainless steel
- To hang bottle on beds



Product	REF
For 500 ml bottle	3908342

Wipes brackets

Wipes bracket large

Properties

- For Meliseptol® Wipes sensitive and B. Braun Wipes mini
- Made of stainless steel



Product	REF
Wipes bracket large Diameter: 110 mm	3908397

Flow pack holder

Properties

- For Meliseptol® Wipes sensitive 100 & XL
- Made of stainless steel
- White; powder-coated



Product	REF
Flow pack holder	3908470

Notice

The bracket is approved for installation in emergency cars: test report according to DIN EN 1789 points 4.5.9 and 5.4 about the testing of restraint systems and the attachment of equipment in emergency vehicles. DIN EN 1789:2007+A2:2014

Hand pumps

Hand pump with reflux valve

Properties

- For 500 ml and 1000 ml bottles
- Round head
- Reflux valve
- Single use
- Dosage approx. 2 ml
- No measuring device



Product	REF
For 500 ml bottle	3908380
For 1000 ml bottle	3908381

Hand pump with reflux valve and long nozzle

Properties

- For 500 ml and 1000 ml bottles
- Round head, long nozzle (80 mm)
- Reflux valve
- Dosage approx. 1.7 ml (no measuring device)



Product	REF
For 500 ml bottle	3908405
For 1000 ml bottle	3908404

Clips

Crocodile clip

Properties

- Crocodile clip for 75 ml and 100 ml bottle
- Device to hang a bottle on one's pocket
- Clip for 75 ml bottle in packs of 25 pieces



Product	REF
For 75 ml bottle	TC01
For 100 ml bottle	3908191
Replacement ring	3908190

Jojo clip

Properties

- To make hand rubs accessible at the point of care
- Return spring is specially adjusted to the weight of a 100 ml bottle



Product	REF
Retractable belt clip for 100 ml bottle	3908409

Training & compliance material

LiteCheck UV

Properties

- Training tool to learn how to correctly perform hand hygiene rubbing technique



Product	REF
LiteCheck UV	3908469

SurfaceCheck UV

Properties

- Kit to check if surface was cleaned
- Includes: Refillable marker, UV light, pipette for filling



Product	REF
SurfaceCheck UV	3908476

Fluo-Add

Properties

- Fluorescent solution for visualizations under UV-light
- For training purpose only (not tested handrub)
- Usable for SurfaceCheck UV marker



Product	REF
100 ml bottle	180127

Accessories for surface and instrument disinfection

Spray head

Properties

- Spray head for alcoholic skin and surface disinfection in 1000 ml bottle
- For Meliseptol®, Meliseptol® rapid, Softasept® N, Braunoderm® or Braunol®



Product	REF
For 500 ml bottle	3908425
For 1000 ml bottle	3908012

Spray head (single use)

Properties

- Spray head for 1000 ml bottle
- Single use



Product	REF
For 1000 ml bottle	3908013

Spray head "red" for Meliseptol®/Meliseptol® rapid

Properties

- Spray head for alcoholic skin and surface disinfection in 1000 ml bottle
- For Meliseptol® New Formula, Meliseptol® rapid



Product	REF
For 1000 ml bottle	6510094

Accessories for canisters

Spanner for 5 and 10 liter canisters

Properties

- For canisters used for machine reprocessing of instruments
- To span 5 and 10 liter canisters
- Made of plastic



Product	REF
Spanner for 5 and 10 liter canisters used for machine reprocessing of instruments	3908187

Dosage pump

Properties

- For dosing out of 5 liter canisters
- Dosage approx. 15 ml or 20 ml
- Single packaging
- No measuring device



Product	REF
Dosage pump 15 ml for 5 liter canisters	3908478 DIN51
Dosage pump 20 ml for 5 liter canisters	3908479 DIN51

Discharge stopcock

Properties

- For convenient and economical refilling of 5 and 10 liter canisters



Product	REF
Discharge stopcock for 5 and 10 liter canisters	3908477 DIN51

Accessories for surface and instrument disinfection

Suction tube doser

Properties

- Simply screw onto 1000 ml bottle
- Press bottle until you obtain the amount of liquid required
- Approximately measures 5 ml to 20 ml
- Single packed
- No measuring device



Product	REF
20 ml suction tube doser	3908422

Instrument tray

Properties

- Practical support for instrument disinfection
- With transparent lid
- Temperature stable up to 50 °C
- Sieve included



Product	REF
Volume 2 liters: 325 x 176 x 150 mm	3908259
Volume 10 liters: 530 x 325 x 150 mm	3908267

Measuring cup

Properties

- For measuring 15 ml to 50 ml
- Made of PP
- Packs of 10 pieces
- No measuring device



Product	REF
Measuring cup 10 – 50 ml	3908046

Wipes dispenser systems

Flexible and practical to use

Characteristics

The practical B. Braun Wipes are used wherever hygiene and cleanliness are of particular importance, e.g. in the medical and dental sector, hospitals, nursing homes, pharmaceutical companies, laboratories and food operations.

B. Braun Wipes are immediately available, presaturated in ready-to-use disinfectant, resistant and – thanks to their generous size and high capacity to absorb water and soil – can even be used in special mop systems to clean and disinfect floors. Single-use wipes reduce the risk of cross-contamination compared to conventional mops that need to be dipped in the disinfectant solution again and again.

It goes without saying that B. Braun Wipes can also be removed with gloved hand and used for manual cleaning and disinfection of medical devices or medical fixtures and fittings.



Product	REF
B. Braun Wipes Disinfectant wipe dispenser with gray cap (without fleece roll)	19873
B. Braun Wipes Fleece roll with 100 wipes (190 mm x 360 mm)	19164
B. Braun Wipes ECO Fleece roll with 120 wipes (190 mm x 360 mm)	19726
B. Braun Wipes mini Disinfectant wipe dispenser with gray cap (without fleece roll)	19874
B. Braun Wipes mini Fleece roll with 25 wipes (240 mm x 280 mm)	19183
B. Braun Wipes mini ECO Fleece roll with 60 wipes (150 mm x 200 mm)	19725

Properties

B. Braun Wipes/Wipes mini

- Tissues of high quality (65 g/m²)
- High tensile strength by a cross-layered tissue structure
- Double layered mini-tissue
- B. Braun Wipes 100 pieces (19 cm x 36 cm)
- B. Braun Wipes mini 25 pieces (24 cm x 28 cm)

B. Braun Wipes ECO/Wipes mini ECO

- Tissues of good quality (50 g/m²)
- Stretchy in transverse direction through parallel set tissue structure
- Ecological/economic in consumption (20% reduction of material)
- B. Braun Wipes ECO 120 pieces (19 cm x 36 cm)
- B. Braun Wipes ECO mini 60 pieces (15 cm x 20 cm)

Tested B. Braun disinfectants

Compatible with the following B. Braun disinfectants	Minimum concentration	Exposure time
Hexaquant® pure	1.0%	5 min.
Hexaquant® XL	1.0%	15 min.
Melsept® SF*	1.0%	60 min.
Meliseptol® acute	concentration	1 min.
Meliseptol® rapid	concentration	1 min.
Meliseptol® Foam pure	concentration	1 min.
Meliseptol® New Formula	concentration	1 min.
Ethanol 70% denat.	concentration	5 min.
Ethanol 80% denat.	concentration	5 min.

* the ready-to-use solution can be used up to 14 days in use with B. Braun Wipes / Wipes mini. In use with B. Braun Wipes ECO / Wipes ECO mini the wipes can be used up to 28 days too.

The B. Braun products listed in the table have been tested with the B. Braun Wipes dispenser system. The ready-to-use solution can be used up to 28 days. B. Braun Wipes do not cause the active disinfectant agent to accumulate, but instead distribute it over the surface to be disinfected.

Melseptomat® G

Decentralized automatic dosing unit with the key to success

Characteristics

Simply press a button and the Melseptomat® G delivers a ready-to-use working concentration made from a disinfectant or cleaner concentrate and tap water, accurately prepared in the predefined dilution rate. Sensors monitor the dosing. Suitable for all areas inside hospitals, food sector or industry, where exact dosing is required.

At a glance

- Single-button operation
- Extreme robust stainless steel housing (1.5 mm steel sheet), vandal-proof operator's control
- Operating status and the empty and fault messages are displayed via the green/red lights (LED) integrated in the operator button
- Removable, autoclavable mixing container
- Preselection of the dosing via key selector
- Dosing preselection: 0.25%, 0.5%, 1%, 1.5%, 2%, 4%
- Predefinable amount of ready-to-use working solution from 1 to 50 liters. Dosing may be stopped at any time by pressing the button.
- Dosing calibration without opening the device
- Dosing error: +6.5%
- Microprocessor controlled system
- Sensors monitor the dosing
- Automatic stop if concentrate or water levels are low

The Melseptomat® G meets the following specifications and guidelines

- Specifications on design, properties and operation of decentralized disinfectant dosing units – guidelines from the Bundesanstalt für Materialforschung und –prüfung (Federal Institute for Materials Research and Testing), of the Robert Koch Institute (RKI) and the Kommission für Krankenhaushygiene und Infektionsprävention (The Commission for Hospital Hygiene and Infectious Disease Prevention)
- Infection control guideline for cleaning and disinfecting surfaces – recommendations made by the Federal Institute for Materials Research and Testing at the Robert Koch Institute (RKI)
- System separation to protect potable water against backflow: DIN EN 1717; EN 13076/unrestricted air gap, Family A, Type A
- Electromagnetic compatibility (EMV): EN 55014
- Technical safety test: EN 60335
- Compatibility with B. Braun disinfectant and cleaning concentrates
- Service friendly modular construction

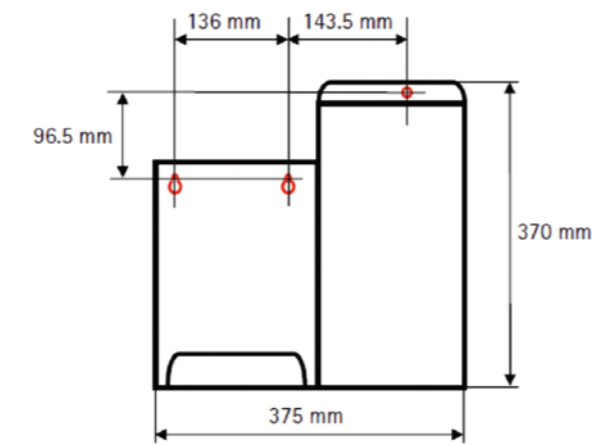
Technical Data Melseptomat® G

Flow rate	max. 400 liters/h
Preselected dispensing quantity	1 – 50 liters
Minimum quantity	1 liter
Preselection quantities	0.25 – 0.5 – 1 – 1.5 – 2 – 4%
Dosing error	max. +6.5%
Water connection	1/2" external thread
Water pressure	0.5 bar – 6 bar
Power supply	Plug in power Primary voltage: 90-264 V, ~ 50-60 Hz; Secondary voltage: 24 VDC; 1A
Energy	max. 24 VA
Dimensions (B * H * T)	375 mm x 370 mm x 150 mm
Suction lance	for 5 liter canister with thread VS DIN 50
Outlet hose	max. length 1 meter

Environmental information

- B. Braun is certified according to
- DIN EN ISO 9001:2008 quality management system
 - DIN EN ISO 13485:2003 to provide medical devices and related services that consistently meet customer requirements and regulatory requirements applicable to medical devices and related services;
 - DIN EN ISO 14001:2004 environmental management system and
 - OHSAS 18001:1999 occupational health and safety management systems
 - For the production site Sempach a GMP certificate (pharmaceutical production) is also available.

Instruction for installation



Product	REF
Melseptomat® G, Decentralized automatic dosing unit	3908420
Melseptomat® Jet	3908455

Melseptomat® G is tested, and delivered ready for connection and ready to mount.



YouTube Just browse for „Melseptomat® G“

Suitable for the dosage of

- Helipur®
- Helipur® H plus N
- Helizyme®
- Hexaquart® XL
- Hexaquart® pure
- Stabimed® fresh
and many other disinfectants

Melseptomat® Jet

- Manual proportioner unit for the preparation and depressurized dispensing of ready-to-use disinfectants and cleaning solutions
- Operates from 1.5 – 6 bar water pressure
- No power connection
- Low level device
- Easy handling



B. Braun Infection Prevention

B. Braun infection prevention products and services are effectively contributing to the prevention and management of infections in healthcare settings all over the world. Protective wear, hand and skin hygiene, cleaning and disinfection of surfaces and instruments are helping to protect health care workers and patients against all kinds of infectious diseases and to minimize spreading of pathogens.

Learn more about our infection prevention portfolio at www.bbraun.com/infection-prevention

This international brochure contains information which is targeted to a wide range of audiences and could contain product details or information otherwise not accessible or valid in your country.